

Work quickly.
Work simply.
Work accurately.

StructurePoint's Productivity Suite of powerful software tools for reinforced concrete analysis & design

sp wall

Finite element analysis & design of reinforced, precast ICF & tilt-up concrete walls

sp column

Design & investigation of rectangular, round & irregularly shaped concrete column sections

sp mats

Finite element analysis & design of reinforced concrete foundations, combined footings or slabs on grade

sp beam

Analysis, design & investigation of reinforced concrete beams & one-way slab systems

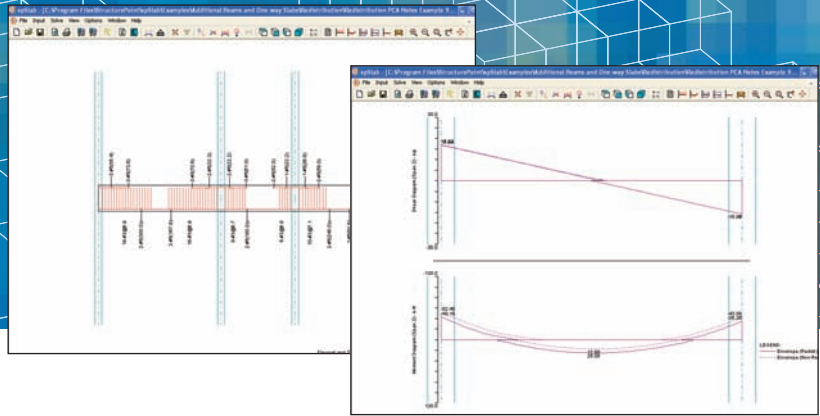
sp slab

Analysis, design & investigation of reinforced concrete beams & slab systems

StructurePoint's suite of productivity tools are so easy to learn and simple to use that you'll be able to start saving time and money almost immediately. And when you use StructurePoint software, you're also taking advantage of the Portland Cement Association's more than 90 years of experience, expertise, and technical support in concrete design and construction.

Visit StructurePoint.org to download your trial copy of our software products.

For more information on licensing and pricing options please call 847.966.4357 or e-mail info@StructurePoint.org.



Offers Time-Saving Capabilities

spSlab is highly efficient in helping engineers analyze, design and investigate reinforced concrete floor systems.

Like its predecessor ADOSS and pcaSlab, it analyzes both two-way slab systems as well as one-way slab and beam systems.

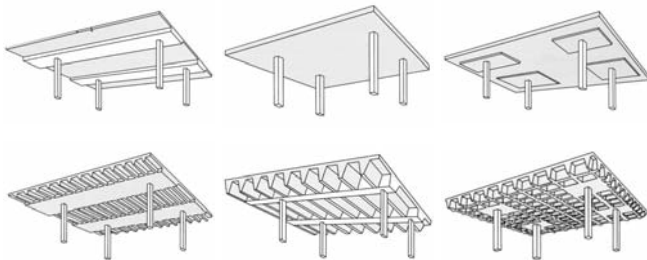
spSlab continues to support ACI 318 (American) and CSA.A 23.3 (Canadian) codes in both English and metric units, including the latest editions 318-08 and 23.3-04.

Analysis and design tools in spSlab are provided for the following systems:

- > Simple and continuous beams
- > One-way slabs
- > Two-way flat plates
- > Two-way flat slabs (with drop panels)
- > Two-way flat slab with slab bands
- > One-way pan joist systems (standard modules)
- > One-way skip joist systems (wide modules)
- > Two-way joist systems (waffle slabs)
- > Two-way slab band systems

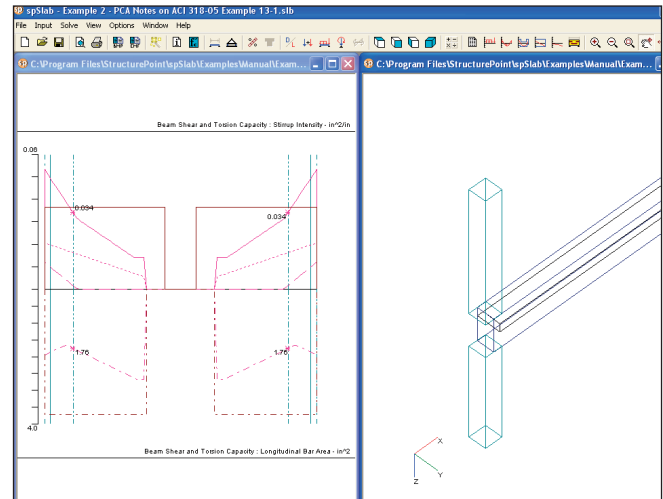
This program incorporates torsion into shear design and investigation of beam systems. Shear capacity including torsion is represented in terms of required and provided area of transverse and longitudinal reinforcement.

Additional savings in both material and labor can be achieved using the moment redistribution feature. It allows up to 20% reduction of negative moments over supports reducing reinforcement congestions in these regions.



www.StructurePoint.org
847.966.4357

Many new features and options allow users maximum flexibility in achieving optimal and economical designs. spSlab can perform strength investigation for evaluation and/or modifications of existing structures saving users time crosschecking designs with design code provisions.



spBeam includes only beam and one-way slab system capabilities and is available as a limited version of spSlab.

Flexible licensing options include both hardware and software protection for standalone and network licensing. Commuter and corporate licensing along with maintenance subscription provides a wide spectrum of enhanced customer service, engineering services and technical support to help you keep your projects profitable and on schedule.

Designed with the engineer in mind, spSlab, combines beam and slab design tools to help you work more quickly, simply and accurately.



Software Maintenance Program

Budget one annual fee for all software maintenance, support, and upgrades with the new StructureFirst plan. Or choose the basic StructurePlus technical support plan and save on upgrades, network conversions, and administrative services.

StructurePlus & StructureFirst are offered for your convenience as annual software maintenance programs designed to extend your technical and customer support to a higher level and to bring you savings on software and services.

Structure First Subscriber Benefits

- Priority structural engineering support
- Includes all upgrades issued during subscription period
- Additional home or field license during subscription period
- **Cost free** conversion from standalone to network license
- Supplementary engineering publications upon request
- All StructurePlus benefits



Technical Support Program

Structure Plus Subscriber Benefits

- Priority technical & licensing support
- Phone access to support engineers
- Upgrade existing software at **substantial discount**
- **Additional discount** on network conversions
- **Cost free** administrative services and updates
- Online access to previous versions and documentation
- Support for commuter and field staff
- Printed copy of manuals upon request
- Discount on selected PCA publications, training and seminars

StructurePoint
CONCRETE SOFTWARE SOLUTIONS

Work quickly. Work simply. Work accurately.

www.StructurePoint.org • 847.966.4357

