

# Structure Point

CONCRETE SOFTWARE SOLUTIONS

sp slab

sp column

sp mats

sp beam

sp frame

sp wall

Work quickly.  
Work simply.  
Work accurately.

## StructurePoint's Productivity Suite of powerful software tools for reinforced concrete analysis & design

**sp wall**

Finite element analysis & design of reinforced, precast ICF & tilt-up concrete walls

**sp column**

Design & investigation of rectangular, round & irregularly shaped concrete column sections

**sp mats**

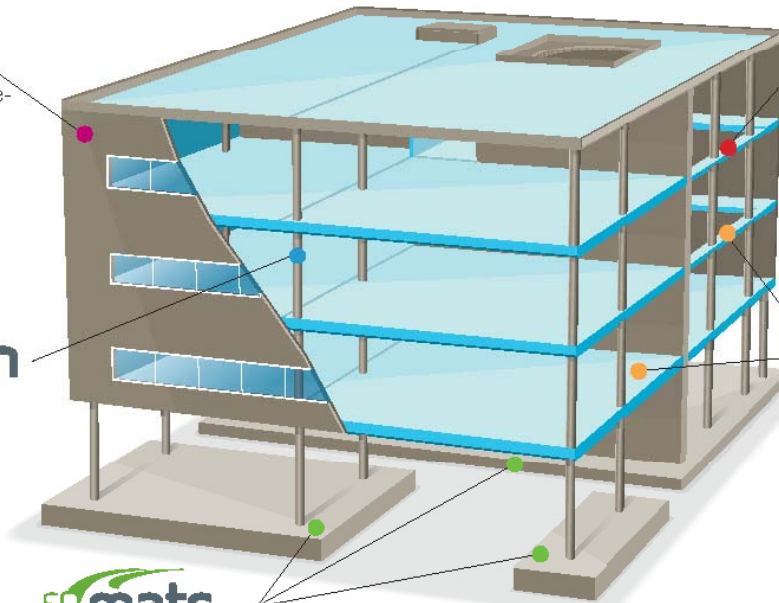
Finite element analysis & design of reinforced concrete foundations, combined footings or slabs on grade

**sp beam**

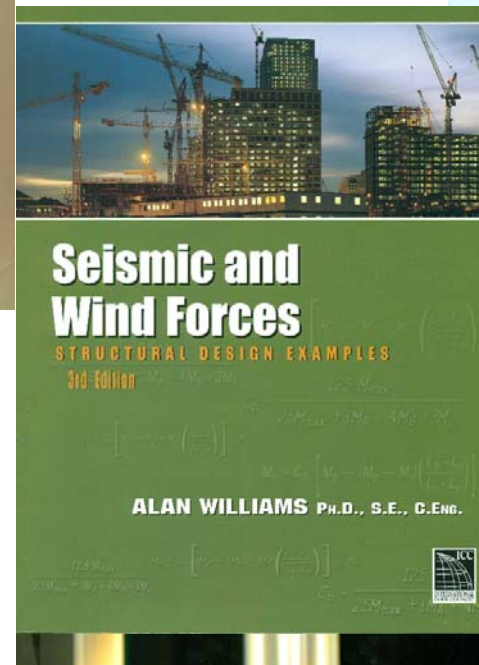
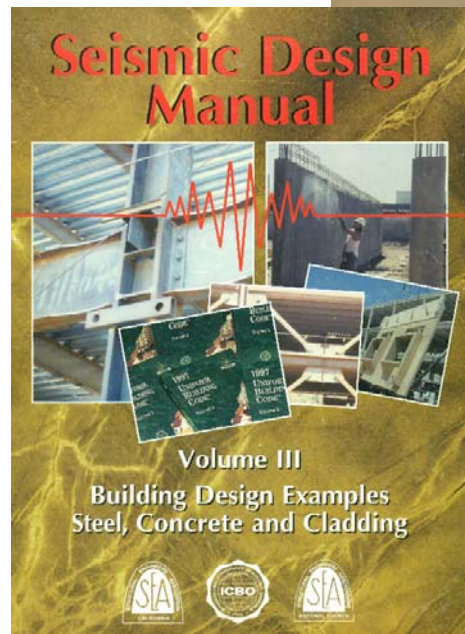
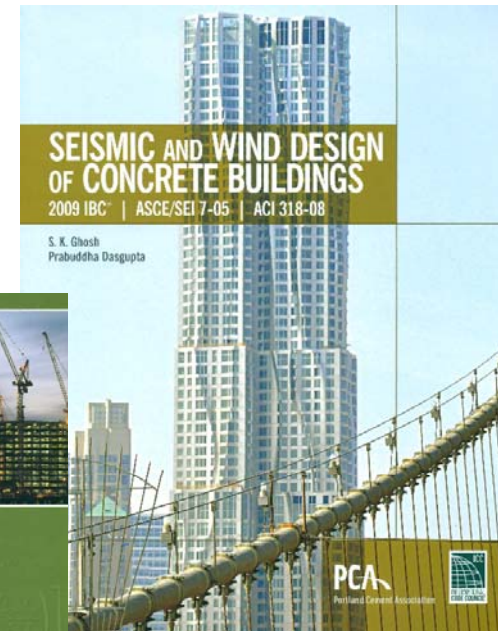
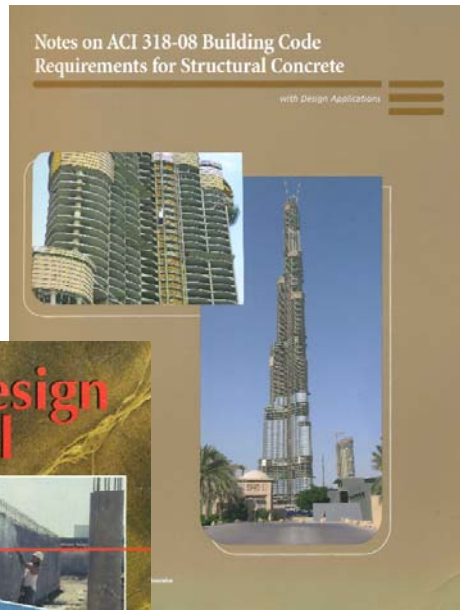
Analysis, design & investigation of reinforced concrete beams & one-way slab systems

**sp slab**

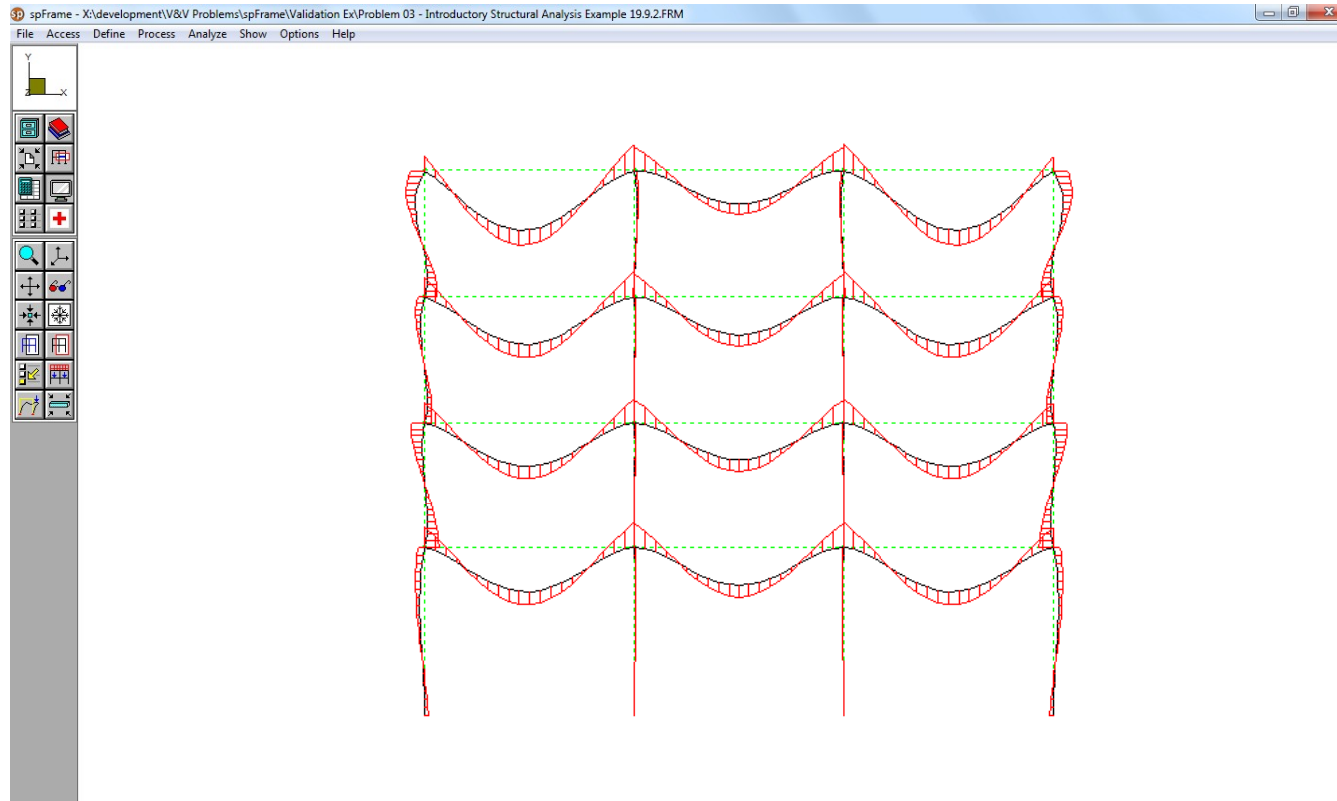
Analysis, design & investigation of reinforced concrete beams & slab systems



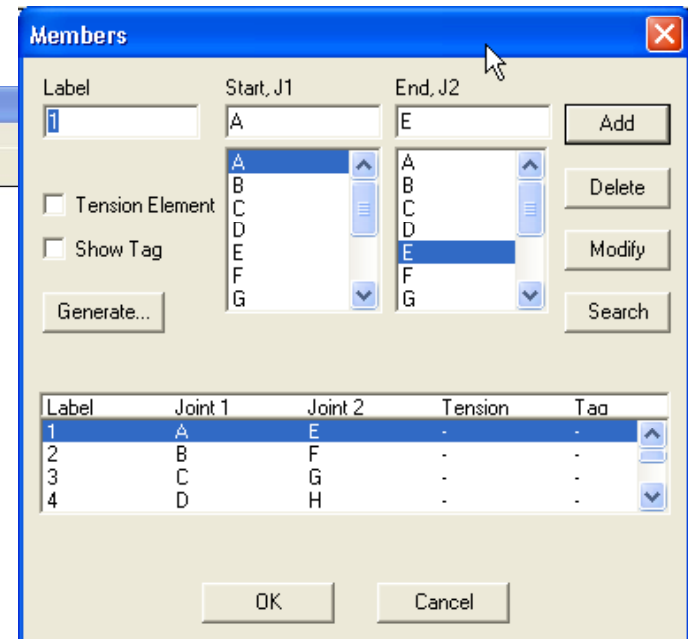
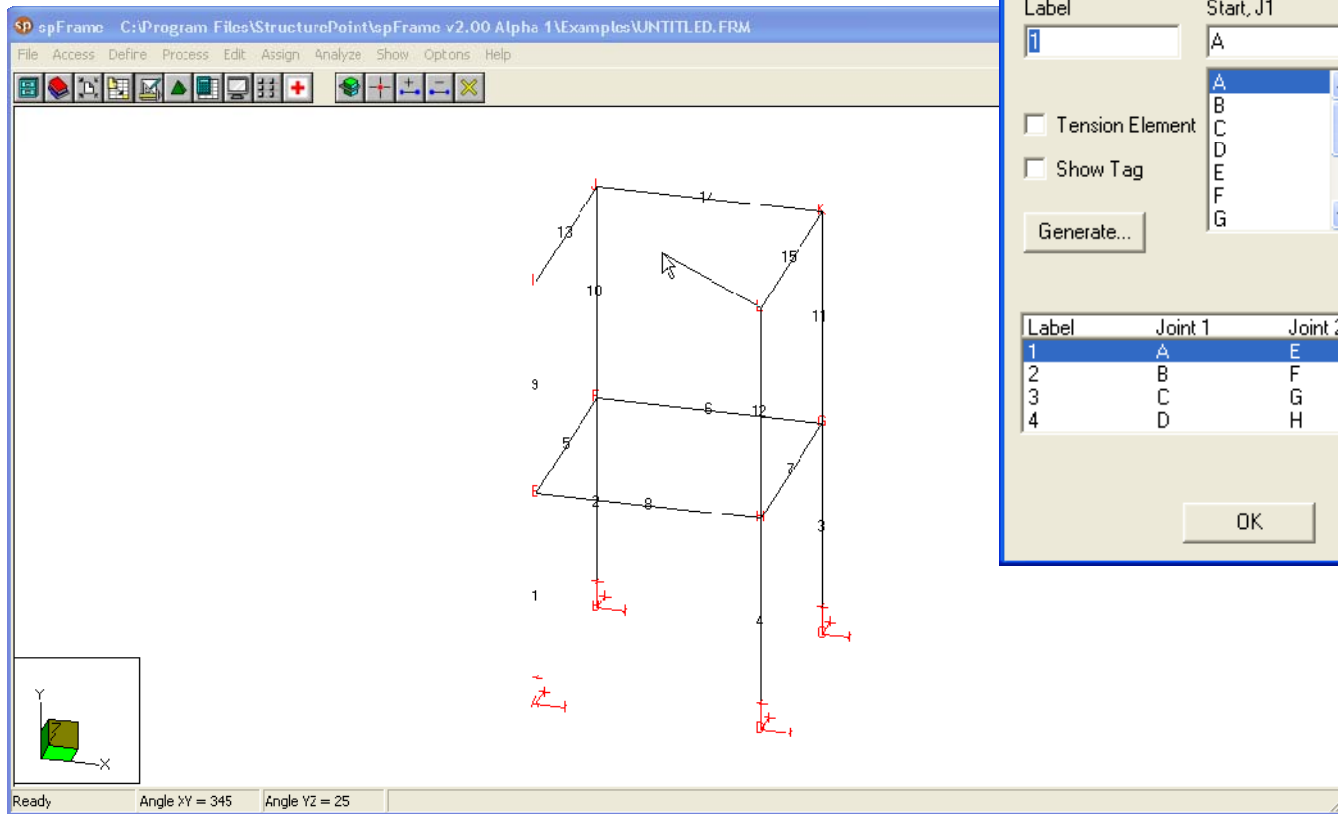
# The Industry Standard



- General purpose structural analysis of 2-D and 3-D structures subject to static loads



## ■ Creating the Model



## ■ Applying the Forces

**Member Loads**

Label:

Type:  Point Load  Distributed Load  Moment Load  Left Triangle  Right Triangle  Temperature

Intensity (W):  kN/m

Distance from J1/Length:

Load Length/Length:

Orientation:  Local  Global  Projection

Direction:  X  Y  Z

Label	O-D-T	Par1	Par2	Par3
Dist 1	L-Y-D	-5	0	1
Tria_1	L-Y-R	-10	0	0.75
P1	L-X-P	12	0	.
P2	L-X-P	20	0	.

**Known Displacements**

Load case:

Joint List: A B C D E F

Dx:  mm Rx:  Rad

Dy:  mm Ry:  Rad

Dz:  mm Rz:  Rad

Joint	Dx	Dy	Dz	Rx	Ry	Rz
A	0	10	0	0	0	0

**Joint Loads**

Load case:

Joint List: A B C D E F

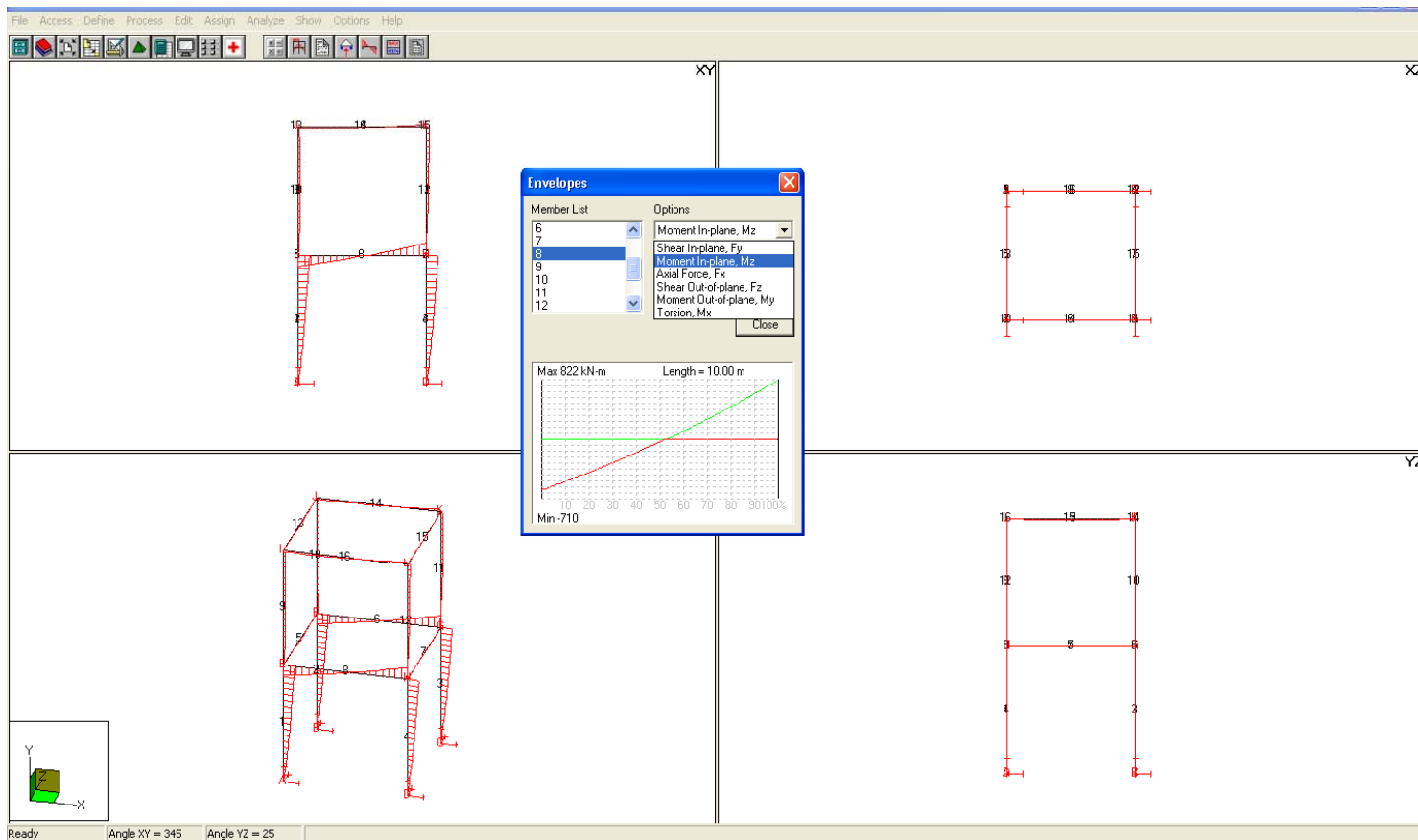
Fx:  kN Mx:  kN-m

Fy:  kN My:  kN-m

Fz:  kN Mz:  kN-m

Joint	Fx	Fy	Fz	Mx	My	Mz
F	10	0	0	0	0	0
E	10	0	0	0	0	0
I	15	0	0	0	0	0

## Viewing Results





# Structure Point

CONCRETE SOFTWARE SOLUTIONS

**Call: +1-847-966-4357**

**Email: [info@StructurePoint.org](mailto:info@StructurePoint.org)**